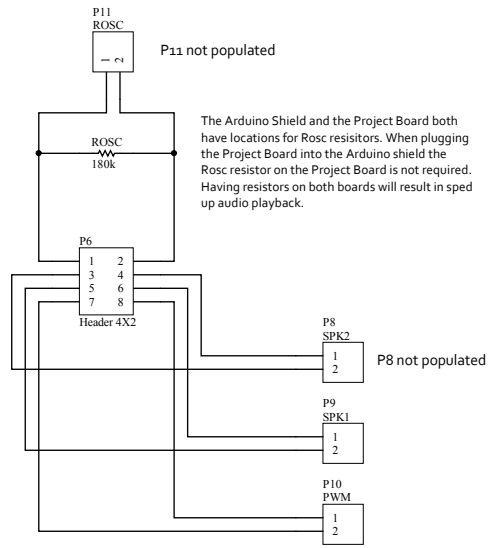


See Note 1!

Note 1: The silkscreen for Arduino pin 13 is missing on the PCB, and the silkscreen for GND and AREF are in the wrong location. On P2, pin 6 is Arduino pin 13, pin 7 is GND, and pin 8 is AREF. Woops. Sorry.



Title: Foxonix Arduino Shield			Metre Ideas and Design Brooklyn, NY USA	METRE IDEAS and DESIGN
Size: B	Number: 1304A3	Revision: A		
Date: 1/31/2014	Time: 1:03:19 PM	Sheet 1 of 1		
File: foxonix_arduino_shield_reva.SchDoc				